

BioRef: The Reflectometer for Biological Applications (V18) at BER II

Helmholtz-Zentrum Berlin für Materialien und Energie *

Instrument Scientist:

- Dr. Marcus Trapp, Helmholtz-Zentrum Berlin für Materialien und Energie
phone: +49 30 8062-43020, email: marcus.trapp@helmholtz-berlin.de

Abstract: The time-of-flight neutron reflectometer BioRef is dedicated to the investigation of solid-liquid interfaces, in particular for soft matter applications. The possibility to mount a FTIR-ATR to the sample stage offers the possibility of combined *in-situ* measurements.

1 Introduction

BioRef is a time-of-flight neutron reflectometer with strong focus on soft matter applications, in particular at solid-liquid interfaces in the context of biological model systems under physiological conditions, including non-equilibrium situations. The instrument was built in joint effort of Ruprecht-Karls-Universität Heidelberg (RKU) and HZB within the “BMBF Verbundforschung” funding scheme. Unique features of BioRef are the chopper system, which allows for focusing on a selected Q-range in order to support fast kinetic studies, and the availability of simultaneous *in-situ* infra-red (IR) spectroscopy measurements. The latter complement the structural information provided by neutron reflectivity (NR) with information on the molecules’ conformational order.

The add-on IR spectroscopy unit allows for the *in-situ* investigations of Si-supported interfaces in ATR (attenuated total reflection) geometry. A Bruker Vertex 70 infrared spectrometer is installed at the sample position for the very reason. The IR beam enters the Si substrate through the inclined top surface (45°) under 90° incidence, is then totally reflected internally several times at the sample surface (front side) and the backside of the Si-substrate before leaving the substrate through its inclined bottom face and deflected into an external IR-detector. The setup enables combined *in-situ* (kinetic) NR and IR studies with z-resolved depth profiles from about 5 – 420 nm total thickness and conformational information on the embedded molecules acquired at the same time.

*Cite article as: Helmholtz-Zentrum Berlin für Materialien und Energie. (2016). BioRef: The Reflectometer for Biological Applications (V18) at BER II. *Journal of large-scale research facilities*, 2, A99. <http://dx.doi.org/10.17815/jlsrf-2-100>

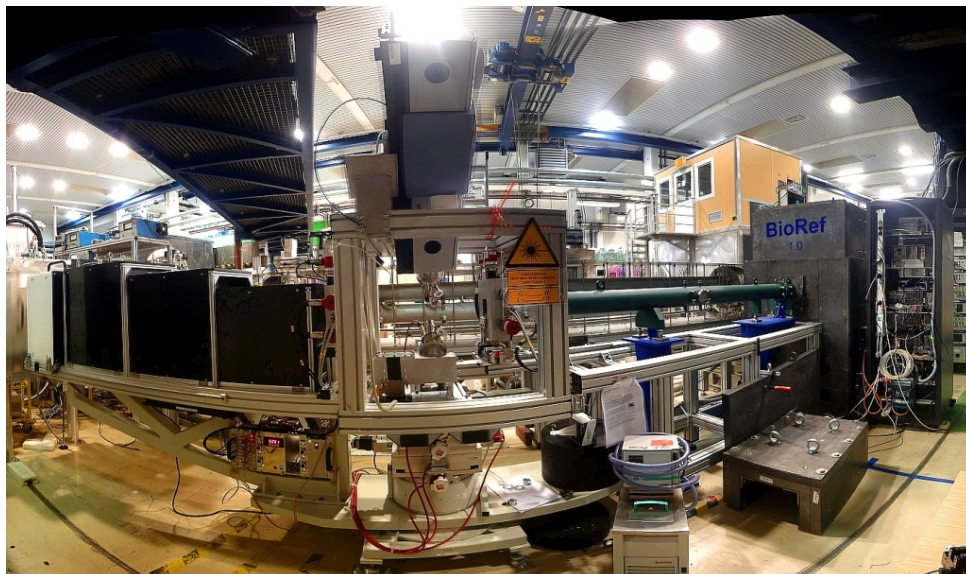


Figure 1: View of V18.

2 Instrument application

Typical applications are:

- Solid-liquid interfaces
- Combined NR and ATR-FTIR measurements
- Time resolved NR

3 Instrument layout

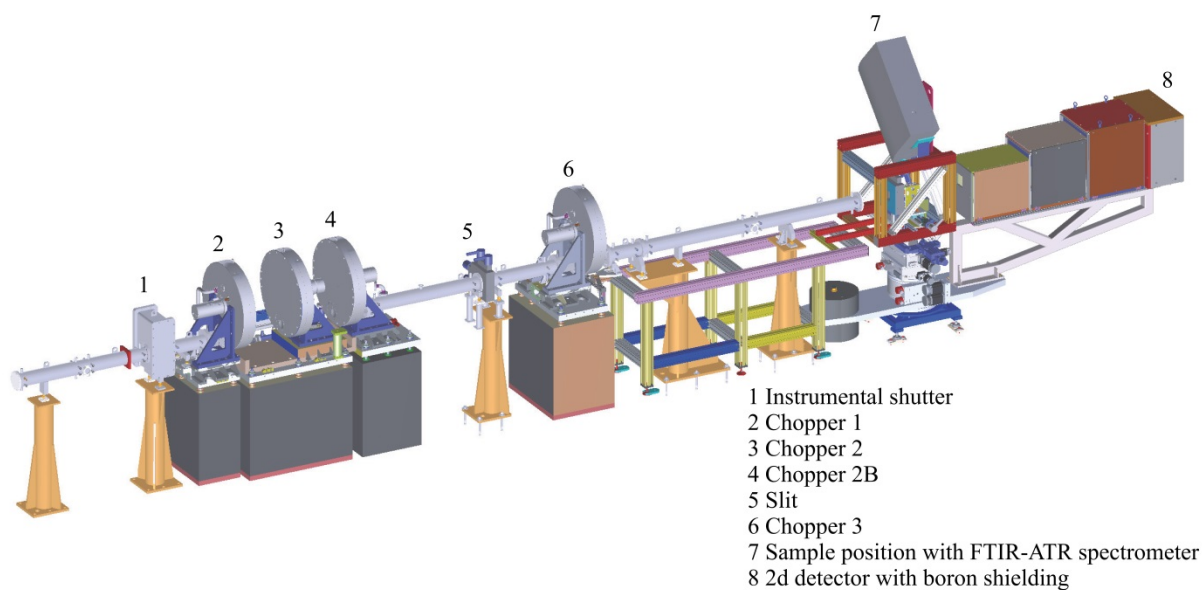


Figure 2: Schematic view of V18.

4 Technical Data

Neutron guide	NL 3b
Wavelength	90 Hz: 2.0 - 6.0 Å 45 Hz: 2.0 - 10.0 Å 25 Hz: 2.0 - 16.4 Å
Wave length resolution	Constant $\Delta\lambda/\lambda = 1 - 5\%$, 7% - 11%
Scattering plane	Horizontal
Range of reflectivities	1×10^{-7} with a 50x80 mm ² sample
Q resolution	$\Delta Q/Q = 1.4 - 7\%$ and 10 - 15%
Detector	300 x 300 mm ² Multiwire PSD detector
Polarized neutrons	No
Instrument options	Possibility of combined NR and ATR-IR measurements
Sample environment	<ul style="list-style-type: none"> • Rectangular flow cells (50x80 mm²) • Round flow cells (∅ 60 mm) • Hydration chamber

Table 1: Technical data of V18.

References

- Kreuzer, M., Strobl, M., Reinhardt, M., Hemmer, M., Hauß, T., Dahint, R., & Steitz, R. (2012). Impact of a model synovial fluid on supported lipid membranes. *Biochimica et Biophysica Acta (BBA) - Biomembranes*, 1818(11), 2648 - 2659. <http://dx.doi.org/10.1016/j.bbamem.2012.05.022>
- Schwörer, F., Trapp, M., Ballauff, M., Dahint, R., & Steitz, R. (2015). Surface-Active Lipid Linings under Shear Load -A Combined in-Situ Neutron Reflectivity and ATR-FTIR Study. *Langmuir*, 31(42), 11539-11548. <http://dx.doi.org/10.1021/acs.langmuir.5b01678>
- Strobl, M., Steitz, R., Kreuzer, M., Nawara, A., Mezei, F., Rose, M., ... Dahint, R. (2010). BioRef – a time-of-flight neutron reflectometer combined with in-situ infrared spectroscopy at the Helmholtz Centre Berlin. *Journal of Physics: Conference Series*, 251(1), 012059. <http://dx.doi.org/10.1088/1742-6596/251/1/012059>
- Strobl, M., Steitz, R., Kreuzer, M., Rose, M., Herrlich, H., Mezei, F., ... Dahint, R. (2011). BioRef: A versatile time-of-flight reflectometer for soft matter applications at Helmholtz-Zentrum Berlin. *Review of Scientific Instruments*, 82(5), 055101-9. <http://dx.doi.org/10.1063/1.3581210>
- Trapp, M., Steitz, R., Kreuzer, M., Strobl, M., Rose, M., & Dahint, R. (2016). BioRef II—Neutron reflectometry with relaxed resolution for fast, kinetic measurements at HZB. *Review of Scientific Instruments*, 87(10). <http://dx.doi.org/10.1063/1.4964294>
- Wojciechowski, K., Orczyk, M., Gutberlet, T., Trapp, M., Marcinkowski, K., Kobiela, T., & Geue, T. (2014). Unusual penetration of phospholipid mono- and bilayers by Quillaja bark saponin



biosurfactant. *Biochimica et Biophysica Acta (BBA) - Biomembranes*, 1838(7), 1931 - 1940.
<http://dx.doi.org/10.1016/j.bbamem.2014.04.008>

Wojciechowski, K., Orczyk, M., Marcinkowski, K., Kobiela, T., Trapp, M., Gutberlet, T., & Geue, T. (2014). Effect of hydration of sugar groups on adsorption of Quillaja bark saponin at air/water and Si/water interfaces. *Colloids and Surfaces B: Biointerfaces*, 117, 60 - 67.
<http://dx.doi.org/10.1016/j.colsurfb.2014.02.010>